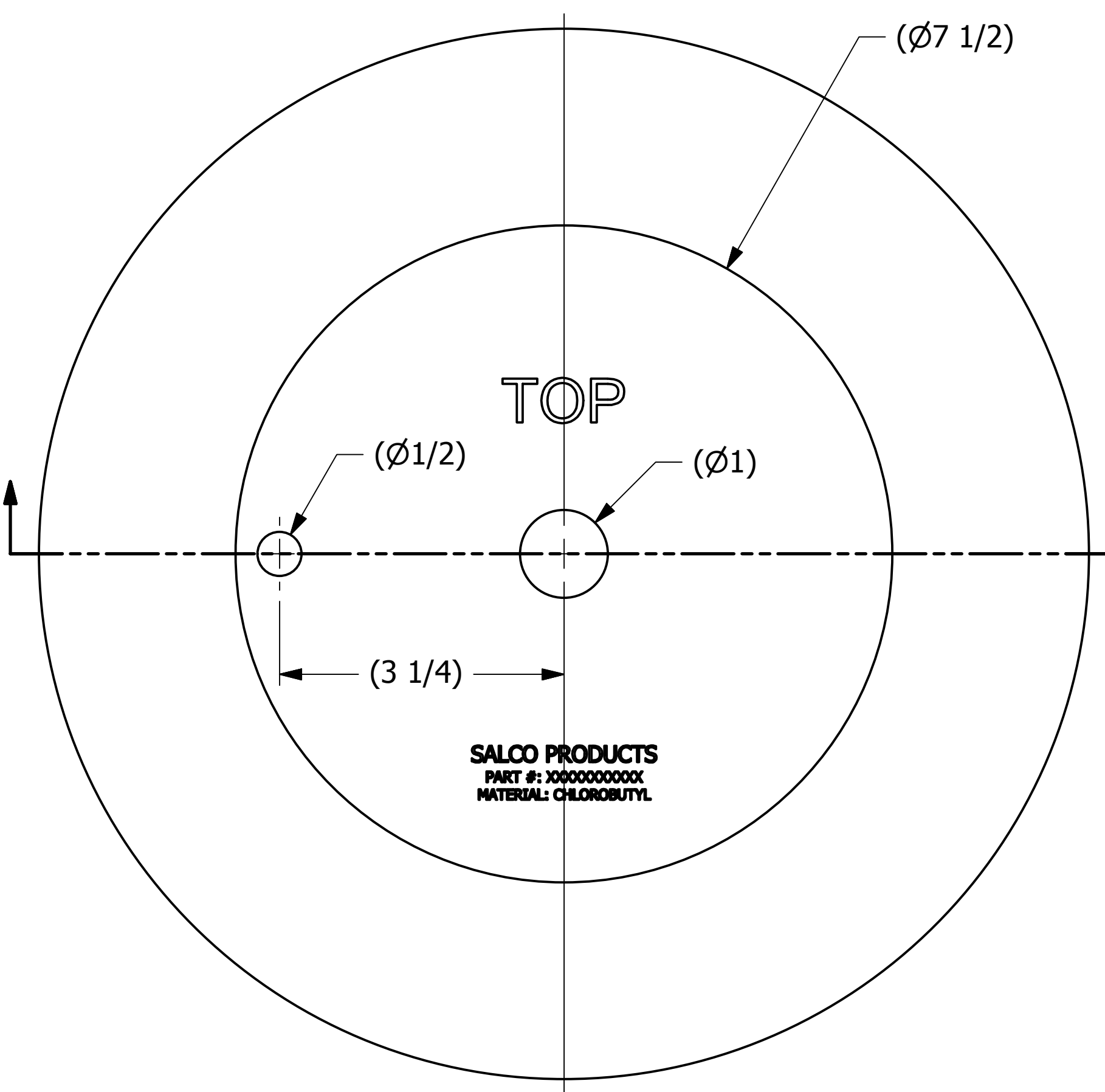


SALES DRAWING SALES DRAWING

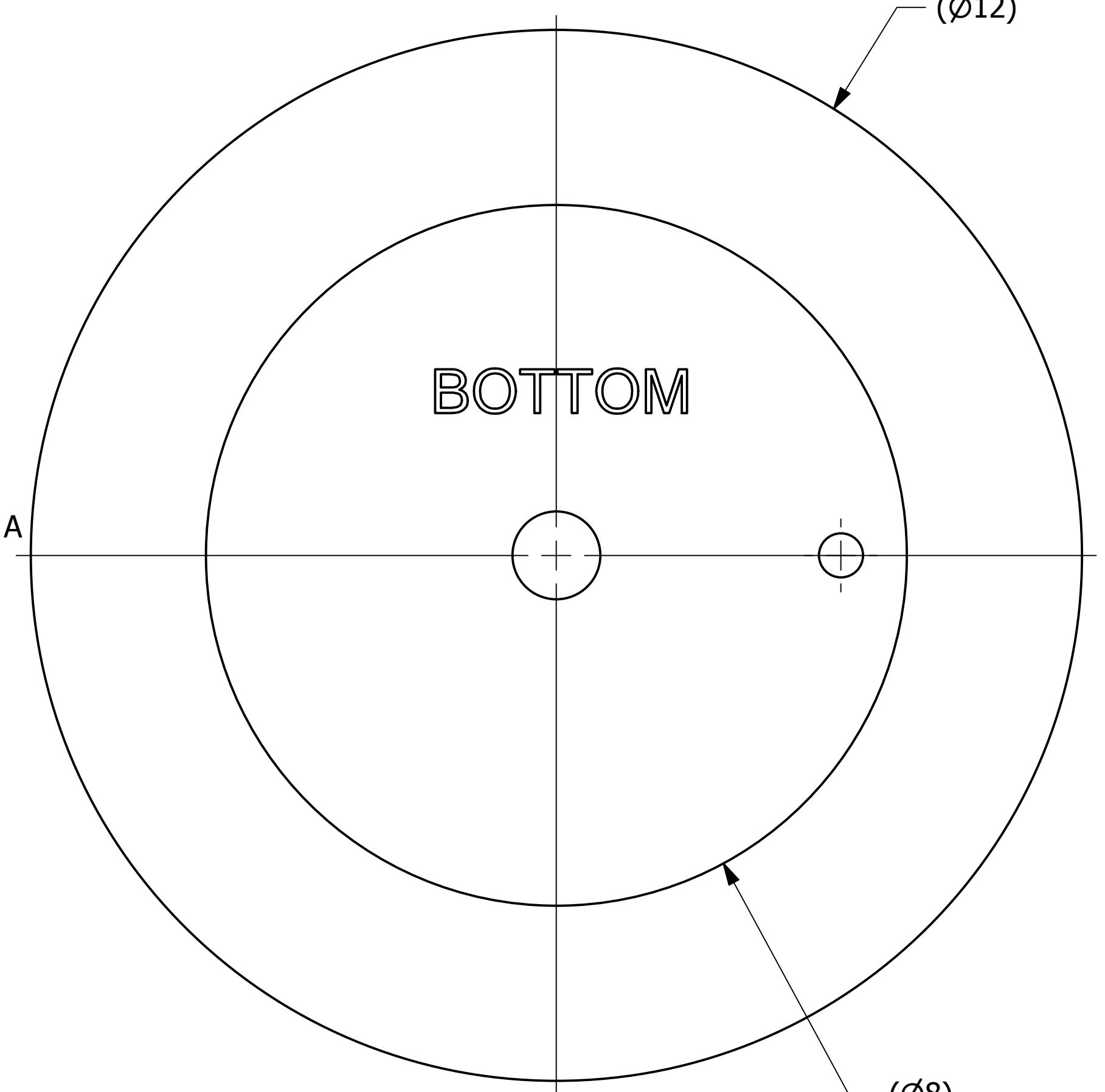
SALES DRAWING SALES DRAWING



TOP

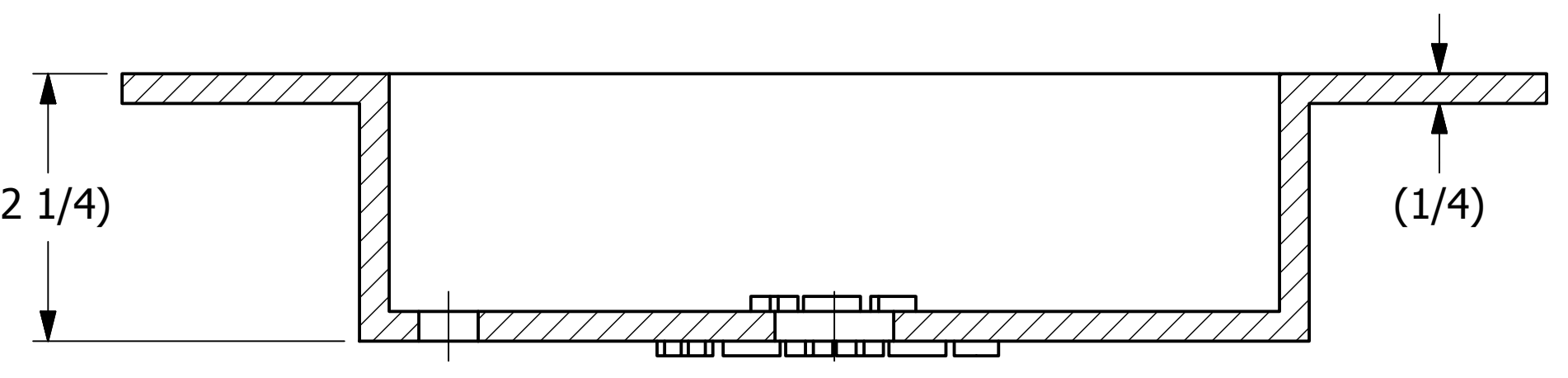
TOP VIEW

**SALCO PRODUCTS**  
PART #: XXXXXXXXXX  
MATERIAL: CHLOROBUTYL



BOTTOM

BOTTOM VIEW



SECTION A-A

THIS PRINT, PROPERTY OF SALCO PRODUCTS INC., CONTAINS PROPRIETARY INFORMATION AND MUST NOT BE COPIED, REPRODUCED, OR USED DETRIMENTALLY TO OUR INTEREST.

<small>UNLESS OTHERWISE SPECIFIED DIMENSIONAL TOLERANCES FRACTIONAL: ±1/16 X.XX: ±.03 X.XXX: ±.015 ANGLE: ±1° DEBURR ALL SHARP EDGES. ALL MACHINED SURFACES TO HAVE A 125 RMS FINISH UNLESS NOTED OTHERWISE.</small>	DRAWN BY:	JG
	CHECKED BY:	CHL
	PROTOTYPE BY:	JG
	PROTOTYPE DATE:	1/27/2015
	APPROVED FOR PRODUCTION BY:	CHL
	PRODUCTION DATE:	1/28/2015

REV	BY	DATE	DESCRIPTION
B	CHL	7-26-18	ADDED Q-2.14.1 NOTE, UPDATED LETTER NOTES, ADDED DETAIL B, REMOVED 3.75 DIM, DIM Ø12±1/8 & Ø8 WERE Ø12.00 & Ø8.00
A	JG	1-28-15	RELEASED FOR PRODUCTION

<b>SALCO PRODUCTS, INC.</b>		
PART NAME: <b>FILL HOLE COVER GASKET 8"</b>		
MATERIAL: <b>BLACK CHLOROBUTYL</b>		
PROJECT #: <b>R150108</b>	SHEET #: <b>1 OF 1</b>	SCALE: <b>3:4</b>
DRAWING #: <b>C40740</b>	PART #: <b>TC8VFHG18H</b>	

